

# Other HEMCO Products



UniFlow CE AirStream



UniFlow SE AirStream High Performance Energy Efficient Laboratory Fume Hoods



UniFlow LE AirStream



UniFlow LE FM



Safety Equipment



# Installation, Operation, Maintenance Manual UniMax Ventilated Hood Enclosure



Visit [www.HEMCOcorp.com](http://www.HEMCOcorp.com)

HEMCO Corporation  
711 S. Powell Road  
Independence 10.01.23

**HEMCO**  
Lab Planning Solutions

Phone (816) 796-2900  
Fax. (816) 796-3333  
Email: [info@HEMCOcorp.com](mailto:info@HEMCOcorp.com)

Visit [www.HEMCOcorp.com](http://www.HEMCOcorp.com)

HEMCO Corporation  
711 S. Powell Road  
Independence MO, 64056

**HEMCO**  
Lab Planning Solutions

Email [info@HEMCOcorp.com](mailto:info@HEMCOcorp.com)  
Phone (816) 796-2900  
Fax (816) 796-3333

# General System Description

## UniMax Floor Mount Hood is constructed and equipped with:

- Modular Construction featuring wall panels that are 2" thick with chemical resistant composite resin surface skin panels.
- Structural framework to be clear of anodized aluminum extrusions.
- A rear varaflow baffle is mounted on the rear wall of hood.
- Top mounted exhaust collar(s).

## Receiving and Inspecting Shipments

Transportation companies are responsible for shipment from the time that it is received by them until it is delivered. All shipments leaving our plant have been carefully inspected and loaded on the carrier's vehicle.

If a shipment arrives with the crating or packaging damaged, have the driver note the condition on the bill of lading and inspect the contents immediately for concealed damage. Due to the crate sizes and number of components HEMCO recommends that with **any** crate damage, even minor, that the bill of lading be signed for noting "crate damage...pending further inspection for concealed product damage"

If the equipment has been damaged in transit, immediately notify and file a claim with the carrier. Do not return to HEMCO. If this procedure is not followed, the carrier will reject the claim and the consignee will suffer the loss. Please notify HEMCO so that we may help you in anyway possible with evaluation, repair, replacement, and valuation of the damage that has occurred.



HEMCO Corporation  
711 South Powell Road  
Independence, MO 64056

**HEMCO**  
Laboratory Planning Solutions

www.HEMCOcorp.com

**Notes:**

info@HEMCOcorp.com  
Fax (816) 796-3333  
Tel (816) 796-2900

## Notes:

## Preparation For Installation

**Two or more people may be needed to safely construct the hood. Handle all contents with care, some parts may be sharp.**

- Deliver components to erection site and segregate. Note identification markings on each panel and inside aluminum extrusions.

**Note: Insertion of the wall panels into the base may be aided by utilizing a thin flexible putty or spackling knife to guide the panel into the track.**

**Note: Be very careful as sub-assemblies and wall sections can be very heavy, particularly the rear wall section. Use dollies or mechanical means to carry items over any distance.**

**Note: left and right would be determined by facing front of enclosure and the drawing set.**

- Be sure wall panels are seated fully into the structural channels and plumb and square. Secure with provided #8 or #10 sheet metal screws.

**NOTE: Some pictures shown are from different but similar style projects.**

**NOTE: Quick ratchet bar clamps to stepladder may be used to partially support the initial panel until other panels can be permanently secured.**

- Read the Complete Manual

- Gather Required Tools/Equipment

### Suggested Tool List

- Cordless screw driver/gun

- Forklift

- Gloves

- Thin flexible putty knife

### Required Tool List

- 2 screwdriver

- 3/8 Open-end wrench

- Stepladders, 2 or more

**Drawings:**



Note: Panels Are marked with Location Labels



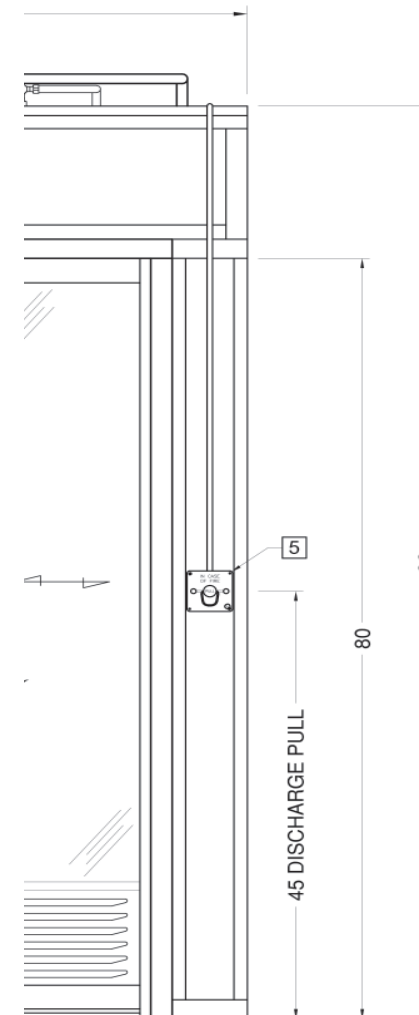
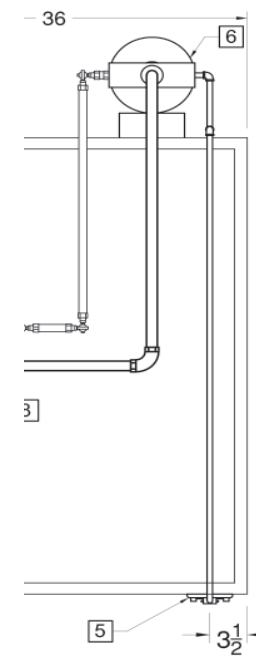
Note: Bottom of Walls sit in an aluminum channel.



Attach Panel (Left Side Wall A) to (Left Side Back Wall B).



Secure From back with #10 sheet metal screws.



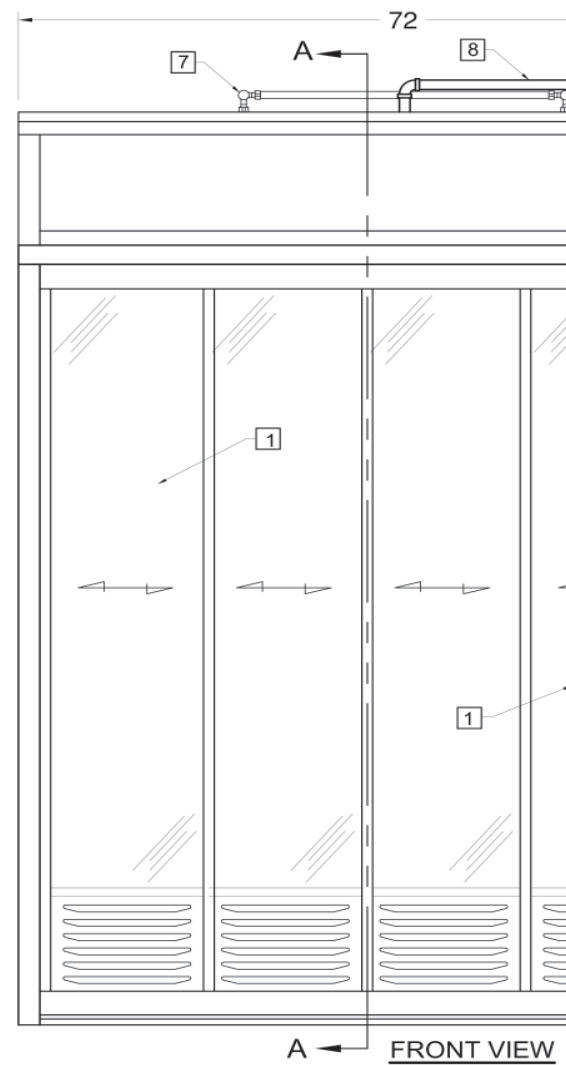
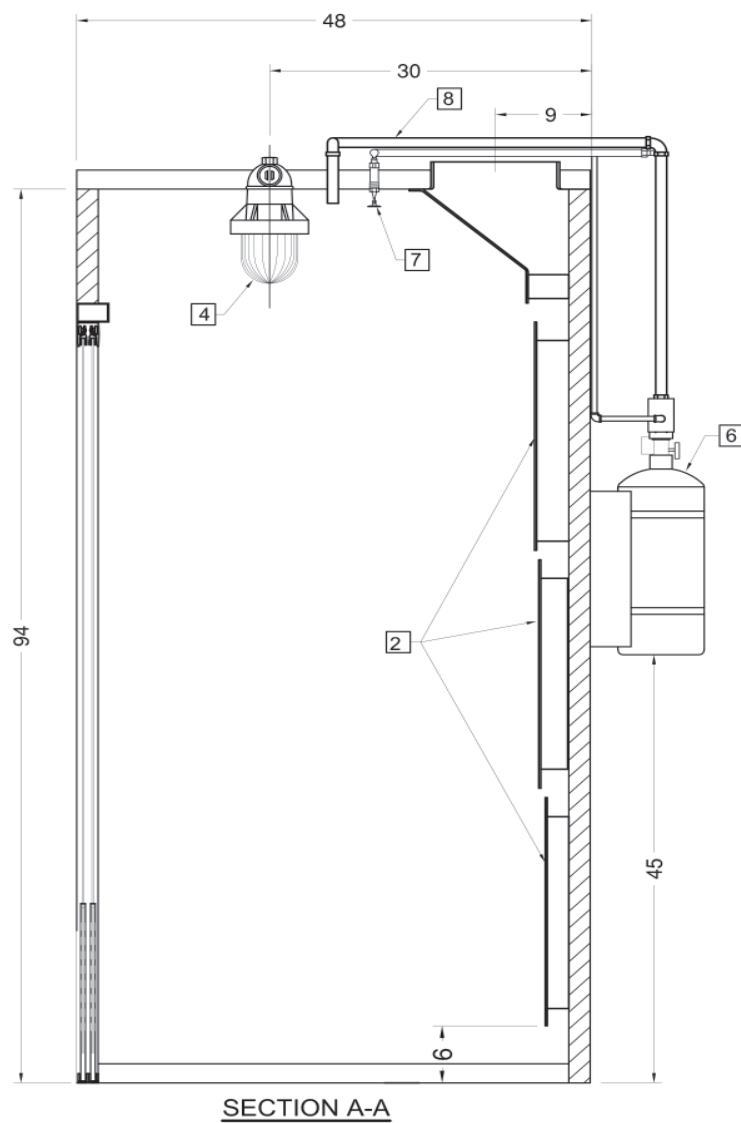
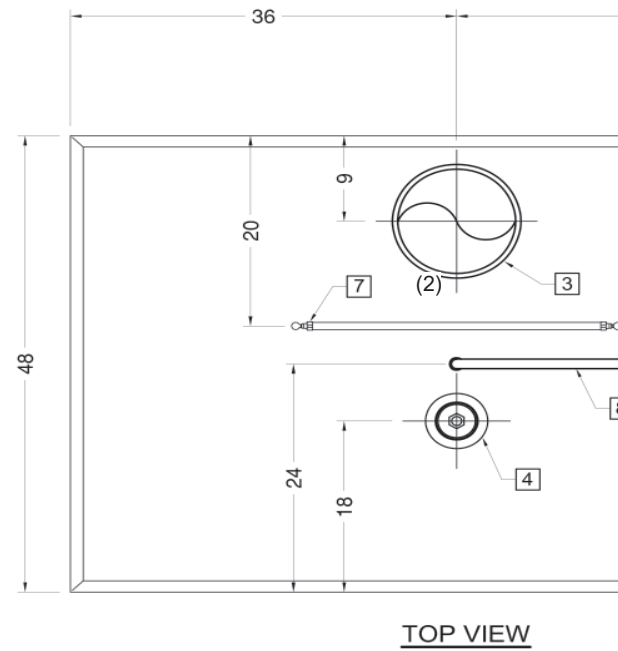
REAR VIEW

**ITEMS:**

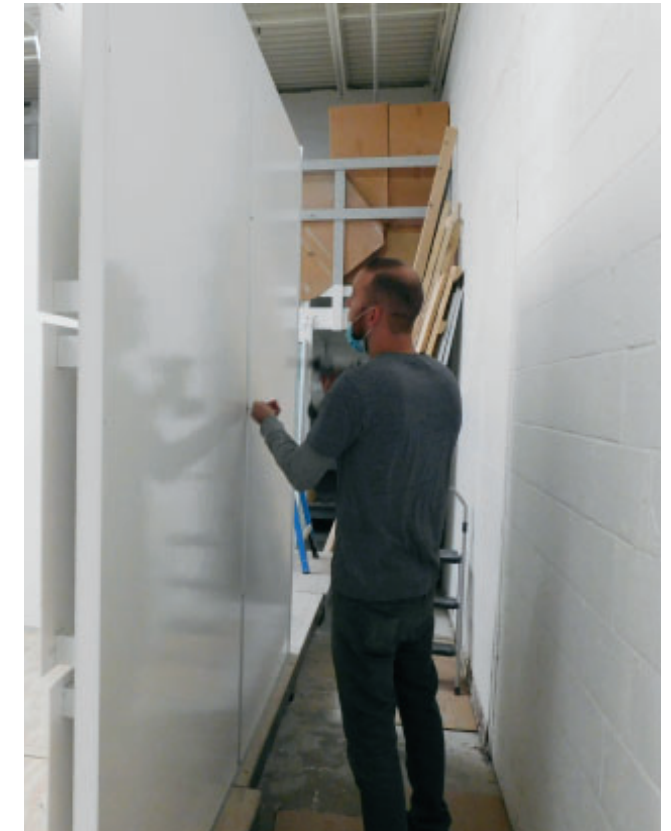
1. (4) TEMPERED GLASS OVERHEAD SUSPENDED DOORS ON TRACKS, W/AIR INLET GRILLE.
2. VARAFLOW BAFFLE SYSTEM
3. (1) Ø12 EXHAUST COLLAR
4. (1) EXPLOSION PROOF LIGHT FIXTURE - CLASS I DIV. I.
5. REMOTE MANUAL DISCHARGE PULL
6. 17 LB SUPPRESSION TANK-CONTROL HEAD
7. HEAT DETECTORS
8. SUPPRESSION NOZZLE

<b>72" UNIMAX FLOOR MOUNT HOOD</b>			
Electroniks, Inc.			
DWG.#	<b>E06-0422</b>		QUOTE #
MODEL #	<b>60848</b>		PROPRIETARY AND CONFIDENTIAL
DESIGNER:	ENGINEER:	The information contained in this drawing is the sole property of HEMCO Corporation. Any reproduction in part or without the written permission of HEMCO Corporation is prohibited. Plans & drawings are copyrighted.	
HDK	DRC		
DATE:	06/27/22		BY: <i>R. E. Hill</i> DATE: 02/11/19
SCALE:	1" = 1'-0"		<b>A</b>
SHEET:	1 of 3		
<b>HEMCO</b>		711 S. Powell Rd. Independence, Mo 64056 ph: (816) 796-2900 fax: (816) 796-3333 www.hemcocorp.com	
Laboratory Planning Solutions			

**Drawings:**



Attach Panel (Back Wall C) to (Back Wall B).



Secure from back with provided #10 sheet metal screws.



Attach Panel (Back Wall D) to (Back Wall C). Secure from back with provided #10 sheet metal screws.



Attach Panel (Right Wall E) to (Back Wall D). Secure from back with provided #10 sheet metal screws.



Install (Door Steel Frame) onto left and right walls.



Secure with provided fasteners



Attach Aluminum Channel above top side corners of door frame.



Attach (Aluminum channels) to top of left and right walls. Secure with provided #10 sheet metal screws.

### Maintenance of the hood:

- For all composite surfaces use a general purpose non-abrasive cleaner, For glass surfaces use a formula glass cleaner. (Windex, etc.). For painted or powder coated metal surfaces use a general-purpose nonabrasive cleaner. For anodized surfaces use a general-purpose non-abrasive cleaner. For acrylic surfaces use a mild detergent and soft damp cloth
- Keep the horizontal door track clean and clear of obstructions to ensure movable door operation.
- Explosion proof light fixtures can accommodate 100 - 300 watt bulbs.
- Check to make sure that the duct and baffle slots are free of obstructions.
- Check exhaust for correct airflow on a yearly basis.

### 1 Year Warranty

HEMCO Corporation warrants this custom project to be free from defects in material and workmanship for a period of one year from the date of shipment.

Product manufactured and built to customer design and approved engineering drawing. Installation and use of product is by others and not covered by this warranty.

This guarantee is made expressly in place of all other guarantees or warranties, expressed or implied, with respect to quality, merchantability, or fitness for a particular purpose.

## Laboratory Safety for Chemical Fume Hoods

The Fume Hood is often the primary control device for protecting laboratory workers when working with toxic and/or flammable chemicals. OSHA's Laboratory Standard (29 CF 1910.1450) requires that fume hoods be maintained and function properly when used.

### Before using the Fume Hood:

- Make sure that you understand the operation of the hood enclosure.
- You should be trained to use it properly.
- Know the hazards of the chemical you are working with; refer to the chemical (MSDS) Material Data Safety Sheet if you are unsure.
- Ensure that the exhaust system is turned on for operation.
- Make sure that the doors are closed for operation. The hinged doors are open only when equipment is being set up or when samples are being loaded.

### When using the Fume Hood:

- Do not walk in or put your head inside the vertical plane of the hood door opening when fumes are present.
- Use appropriate safety protection.
- Be sure that nothing blocks the airflow through the baffles or through the air inlet grills.
- Elevate large equipment above the floor to allow air to flow underneath.
- Keep all materials inside the hood at least (8) inches from the door opening. When not working in the hood, or when a process is in operation, keep the doors closed.
- Do not permanently store chemicals inside the hood.
- Promptly report any hood that is not functioning properly to your supervisor. The doors should be closed and the hood "tagged" and taken out of service until repairs can be completed.
- When using extremely hazardous chemicals, understand your laboratory's action plan in case an emergency.
- Wipe up spills immediately.
- Minimize drafts and turbulence in front of the hood.
- Routinely validate airflow.



Attach (Right Header F) to top of Front wall.



Attach (Left Header F) to top of Front wall.



Attach Aluminum Channel to top of Front wall.



Attach Aluminum Channel to top of Back wall.



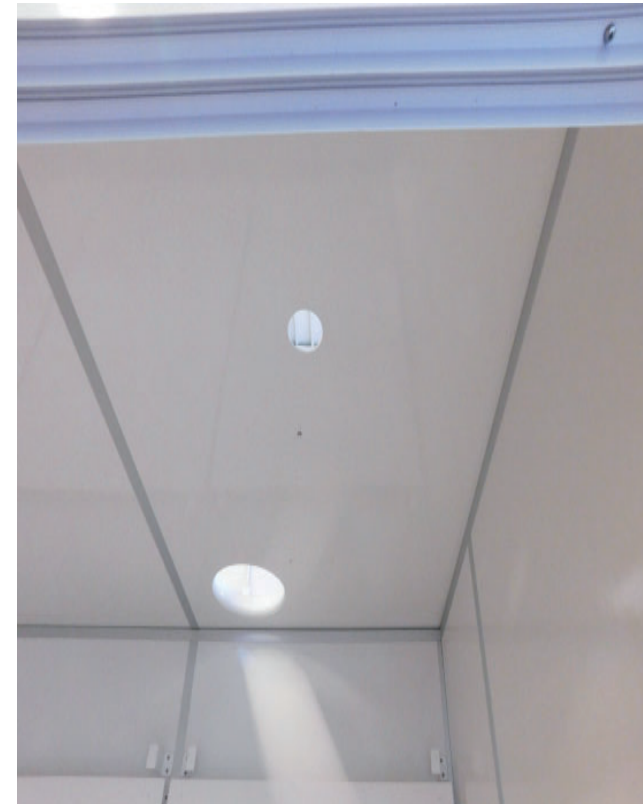
Install (Ceiling Panel B) and install Aluminum channel between Ceiling Panels.



Install (Ceiling Panel C) into Aluminum channels.



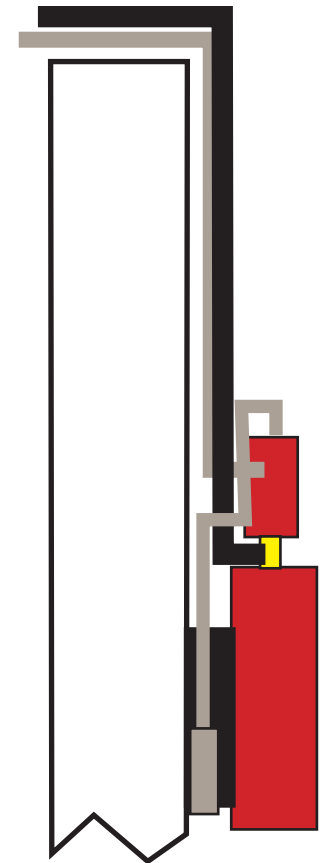
Install (Right Ceiling Panel D) into Aluminum channels.



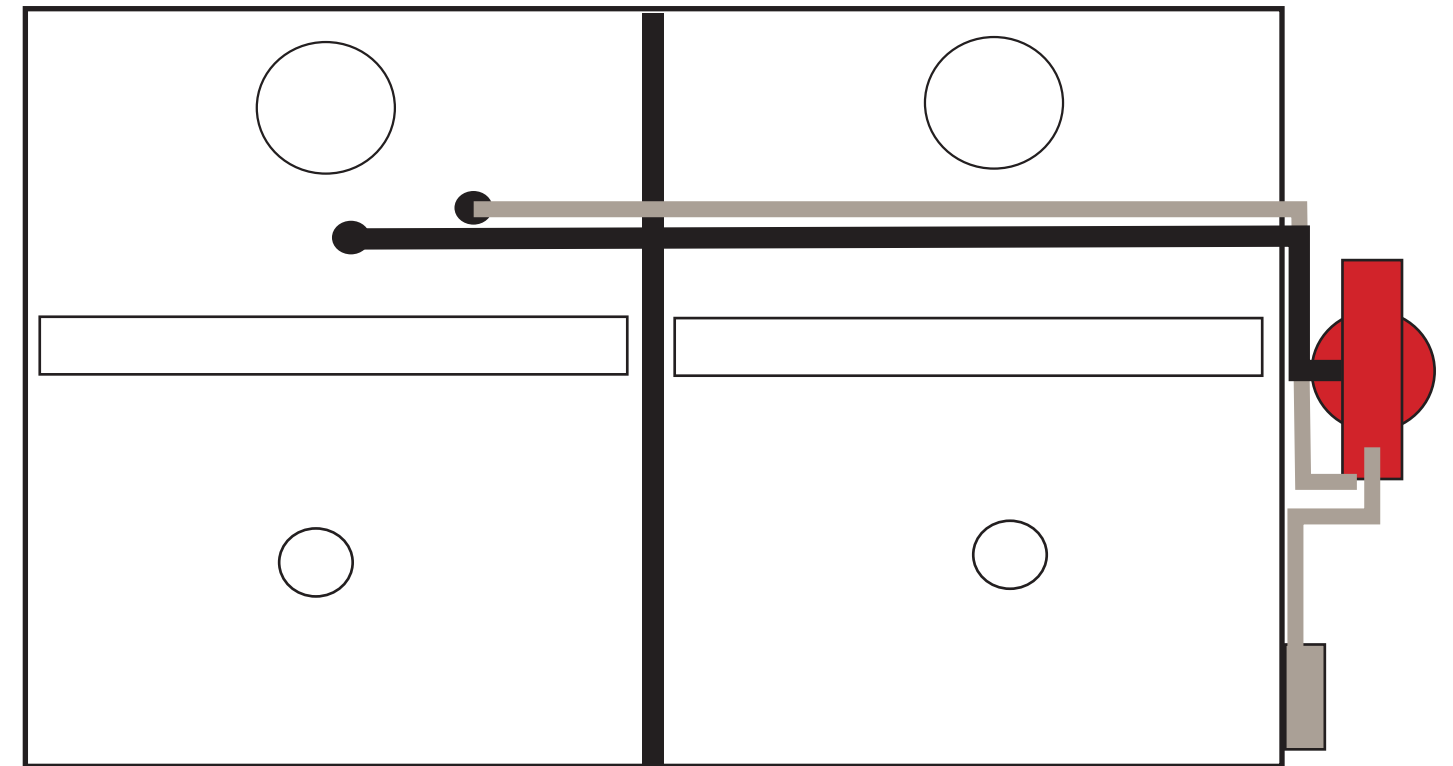
Note: Holes for Duct work are located toward the back of the Hood, and lighting (if required) is located toward the front of the hood.



Fire Suppression System from top of hood



Fire Suppression System from side of hood



Fire Suppression System from top of hood





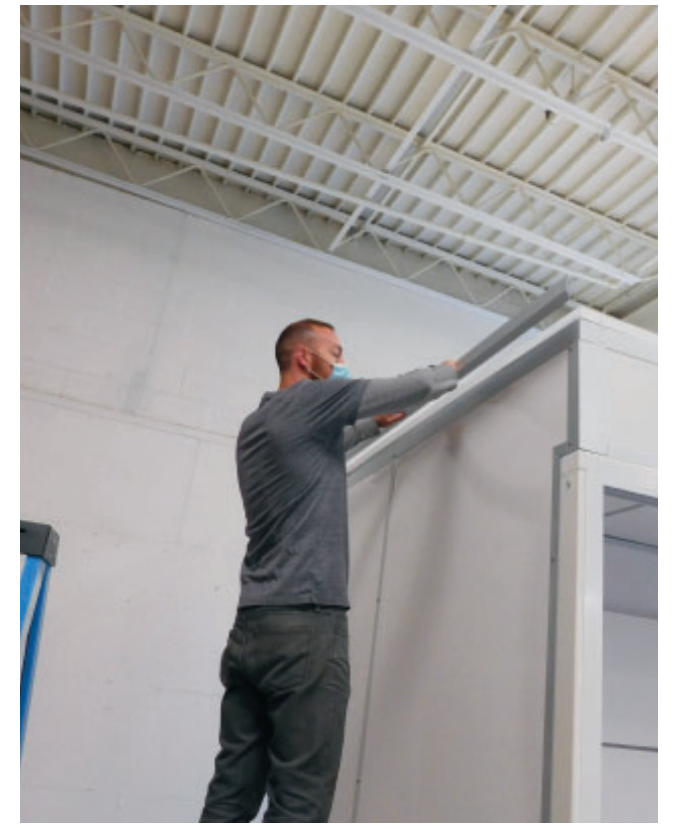
Fire Suppression System



Fire Suppression System from top of hood



Secure Aluminum Channels to Ceiling Panels on Front and Back sides with provided #10 sheet metal screws.



Secure Aluminum Channels to Ceiling Panels on Left and Right sides with provided #10 sheet metal screws.



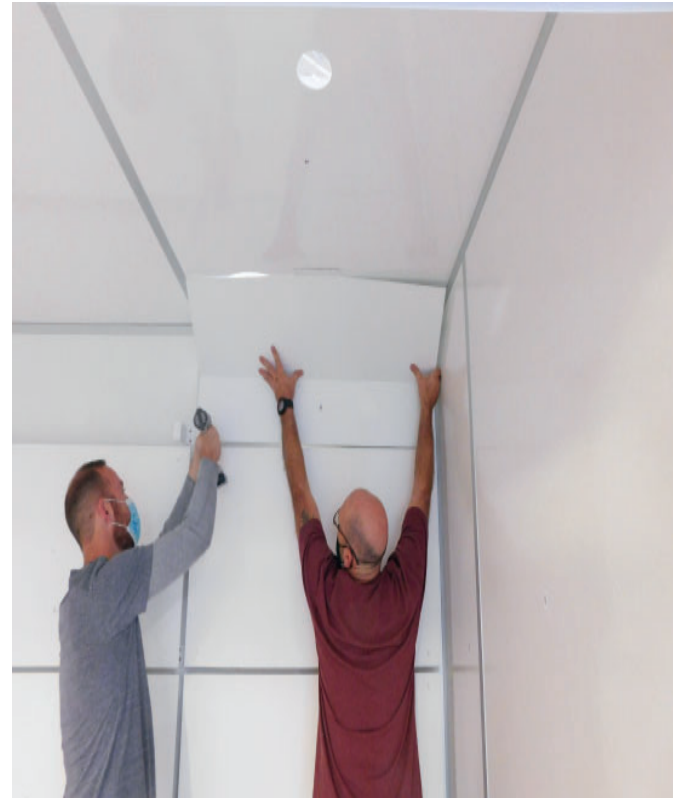
Install: Machine screws and locknuts to hold the ceiling panels together.



Aluminum channel shown in position between ceiling panels.



View of top of Rear Baffles. Remove spacers and screws, and use to install upper Baffles.



Install (Right Top Baffle D) to (Back Wall D) and (Ceiling Panel D).



Install (Center Top Baffle C) to (Back Wall C) and (Ceiling Panel C).

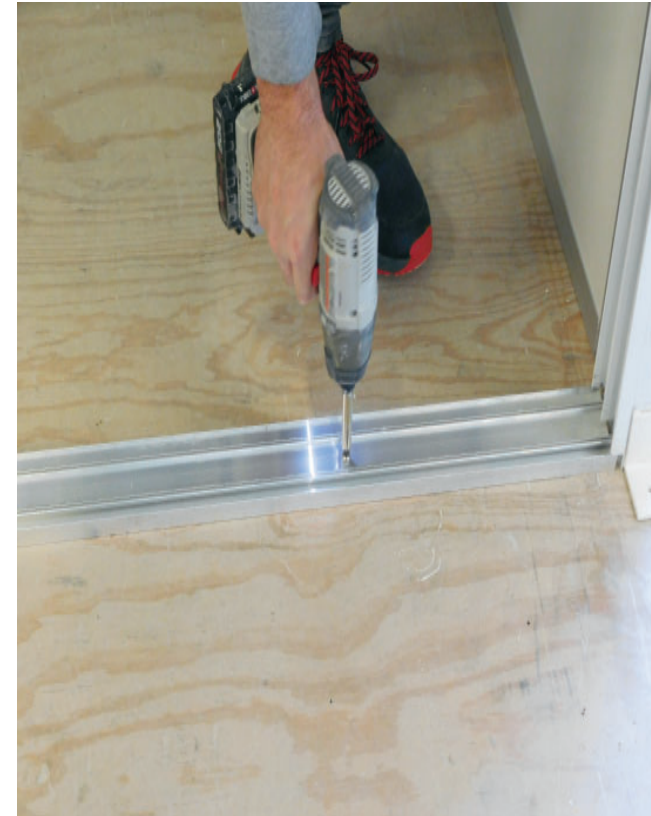


Install (Left Top Baffle B) to (Back Wall B) and (Ceiling Panel B). Secure with provided #10 sheet metal screws.

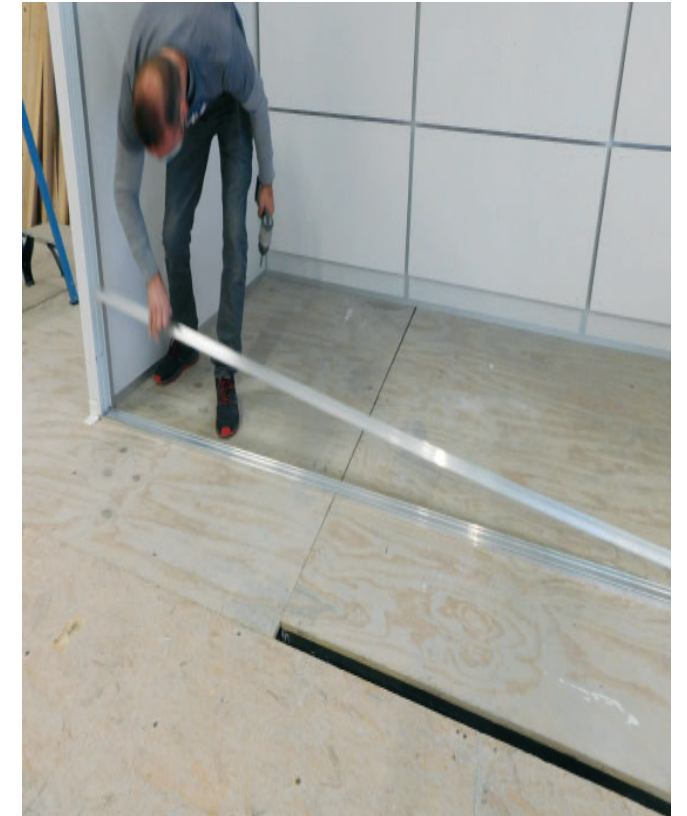


Completed Unit

- Seal any air gaps and joints of the enclosure not previously sealed with silicone sealant. Typical air gaps would be walls to ceiling, floor perimeter, etc.
- General clean up of site, installation of any other equipment, etc
- Note: All explosion proof electrical components are required to be wired by local certified electrician to comply with local codes.



Install (Door Threshold) . Secure with provided #10



Install (Sliding Door Track) into Door Threshold.



Install (Sliding Door Frame) into (Steel Door Frame)..



Install the (4) (Sliding Doors G) into the Door Frame .



Install the (4) (Sliding Doors N) into the Door Frame .



Install Top Section of Light fixture trough roof of ceiling panel



Thread bottom section of Light fixture into the top section from inside the Hood

Seal the wall to ceiling joint completely around the perimeter of the hood with 100% silicon sealant.

**NOTE:** Ceiling panel can be set on the tines of a fork truck and lifted to the proper height and (hand over head) into final position utilizing stepladders inside and outside the enclosure or can be passed (hand over head) from (2) persons on the floor to (2) persons on separate stepladders.

**CAUTION:** Roof Structure is not designed to support more than 50-60 pounds of Load

Secure upper (ceiling) connections with #10 machine bolt (interior) and nylon nuts (exterior) Cover screw heads with #10 PVC cover caps.